



Butterfly valve

wafer type

6/314

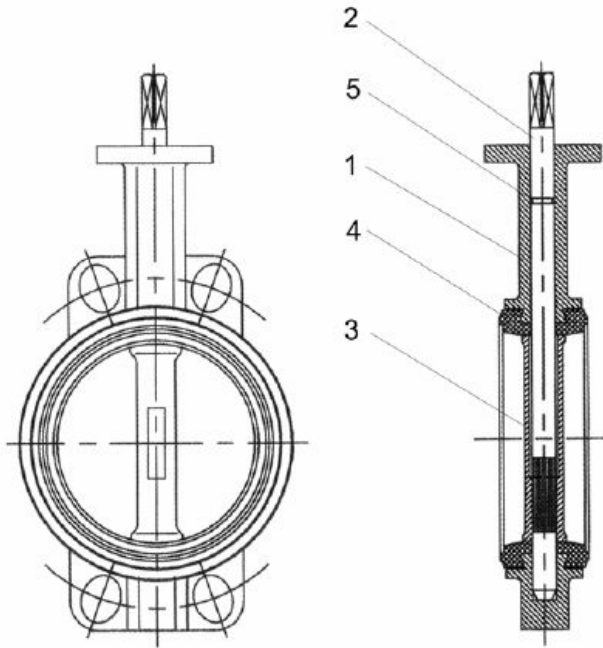
PN 10/16

Design and application

Butterfly valve in wafer type design
Centric shaft
For liquids and gaseous media

Installation

The valve is to be installed between flanges acc. DIN, other connections at request
Face to face acc. DINZ 3202, EN 558, API 609



Materials

Pos.	Designation	Material			
1	Body	GG-25 (A-126)	GGG 50 (A-536)	1.4308 (AISI 304)	1.4408 (AISI 316)
2	Shaft	1.4028 (AISI 420)	1.4408 (AISI 316)	1.4408 (AISI 316)	1.4408 (AISI 316)
3	Disc	GG-25 (A-126)	GGG 50 (A-536)	1.4308 (AISI 304)	1.4408 (AISI 316)
4	Liner	NBR, VITON, SILICONE, HYPALON			
5	O-ring	NBR, EPDM, VITON			

Other materials at request

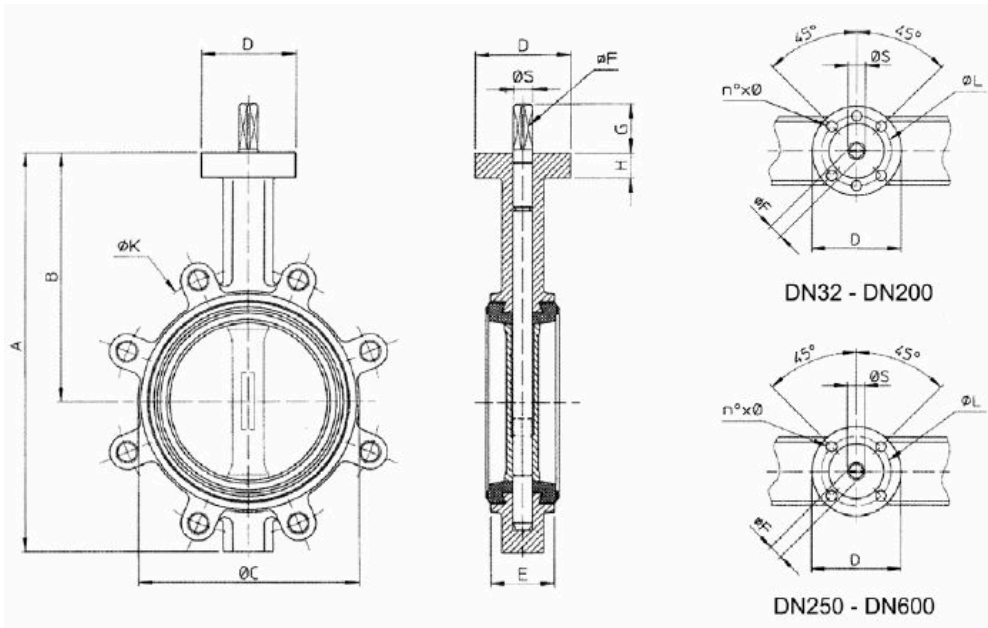


Butterfly valve

wafer type

6/314

PN 10/16



Dimensions													
DN	NPS	A	B	C	D	E	F	G	H	K	L	nxØ	Kg
32	1 1/4"	205	139	82	90	33	8	30	24	100	70	4x9	2,8
40	1 1/2"	205	139	82	90	33	8	30	24	110	70	4x9	2,8
50	2"	227	154	103	90	43	8	30	24	125	70	4x9	3,5
65	2 1/2"	246	160	121	90	46	11	30	24	145	70	4x9	4,0
80	3"	260	170	132	90	46	11	30	24	160	70	4x9	5,3
100	4"	295	187	155	90	52	11	30	24	180	70	4x9	7,0
125	5"	324	205	190	90	56	14	30	24	210	70	4x9	9,5
150	6"	349	217	218	90	56	14	30	24	240	70	4x9	10,8
200	8"	442	257	273	90	60	17	30	24	295	70	4x9	15,8
250	10"	452	255	325	135	68	22	40	22	*350/3 55	102	4x11	29,5
300	12"	522	288	325	135	78	22	40	22	*400/4 10	102	4x11	39,3
350	14"	600	320	435	170	78	22	40	22	*460/4 70	140	4x18	63,0
400	16"	658	339	485	170	102	27	40	22	*515/5 25	140	4x18	75,0
450	18"	790	413	532	175	114	36	40	22	*565/5 85	140	4x18	95,0
500	20"	840	448	587	175	127	36	40	22	*620/6 50	140	4x18	140,0
600	24"	920	490	705	210	154	36	40	22	*725/7 70	165	4x24	220,0

^{*)} DIN 2501 PN10 / PN16

6 - Butterfly Valves

6 - Butterfly Valves