



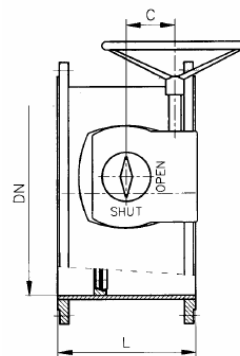
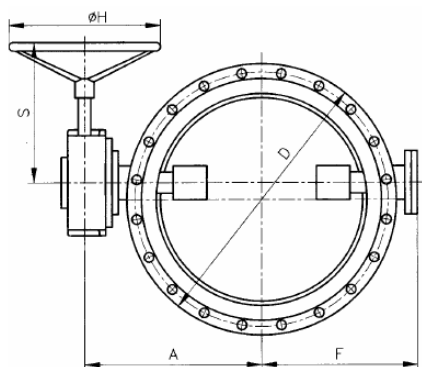
Butterfly Valve - Double Eccentric

6/120-F14

Flange type, face to face EN558-1 row 14

PN 1-40

Design	according to DIN3354 / EN593 welded body
Face to face	EN558-1, row 14
Flanges	DIN2501 / EN1092-1
Facing	DIN2526, face C / EN1092-1/B
Actuation	worm gear with handwheel



Dimensions ¹

DN	L	PN 1-2,5				PN 6				PN 10			
		F	D	-	[kg] ³	F	D	-	[kg] ³	F	D	-	[kg] ³
80	180	150	190	-		150	190	-		165	200	-	
100	190	160	210	-		160	210	-		175	220	-	
125	200	175	240	-		175	240	-		190	250	-	
150	210	190	265	-		190	265	-		205	285	-	
200	230	215	320	-		225	320	-		235	340	-	
250	250	245	375	-		255	375	-		270	395	-	
300	270	275	440	-		285	440	-		295	445	-	
350	290	310	490	-		310	490	-		325	505	-	
400	310	335	540	-		335	540	-		355	565	-	
450	330	360	595	-		370	595	-		380	615	-	
500	350	385	645	-		395	645	-		415	670	-	
600	390	440	755	-		450	755	-		470	780	-	
700	430	495	860	-		505	860	-		530	895	-	
800	470	560	975	-		560	975	-		595	1015	-	
900	510	610	1075	-		620	1075	-		645	1115	-	
1000	550	660	1175	-		670	1175	-		705	1230	-	
1100	590 ²	x	x	-		x	x	-		x	x	-	
1200	630	760	1375	-		785	1405	-		825	1455	-	

1) dimensions A, C, S, ØH depending on actuator

2) acc. to manufacturer's standard

3) without gear, actuator

-) Larger DN on request

x) at request



Butterfly Valve - Double Eccentric

6/120-F14

Flange type, face to face EN558-1 row 14

PN 1-40

Design	according to DIN3354 / EN593 welded body
Face to face	EN558-1, row 14
Flanges	DIN2501 / EN1092-1
Facing	DIN2526, face C / EN1092-1/B
Actuation	worm gear with handwheel

Dimensions ¹

DN	L	F	PN 16			PN 25			PN 40				
			D	-	[kg] ³	F	D	-	[kg] ³	F	D	-	[kg] ³
80	180	165	200	-		165	200	-		175	200	-	
100	190	175	220	-		190	235	-		200	235	-	
125	200	190	250	-		210	270	-		215	270	-	
150	210	215	285	-		230	300	-		240	300	-	
200	230	245	340	-		260	360	-		275	375	-	
250	250	275	405	-		300	425	-		320	450	-	
300	270	310	460	-		330	485	-		355	515	-	
350	290	340	520	-		375	555	-		385	580	-	
400	310	370	580	-		405	620	-		425	660	-	
450	330	400	640	-		x	x	-		445	685	-	
500	350	445	715	-		460	730	-		x	755	-	
600	390	510	840	-		525	845	-		x	890	-	
700	430	545	910	-		595	960	-		x	995	-	
800	470	610	1025	-		655	1085	-		x	1140	-	
900	510	660	1125	-		715	1185	-		x	1250	-	
1000	550	725	1255	-		780	1320	-		x	1360	-	
1100	590 ²	x	x	-		x	x	-		x	x	-	
1200	630	850	1485	-		895	1530	-		x	1575	-	

1) dimensions A, C, S, ØH depending on actuator

2) acc. to manufacturers standard

3) without gear, actuator

-) Larger DN on request

x) at request

6 - Butterfly Valves

6 - Butterfly Valves