



Wedge Gate Valve

outside screw

10/102, 10/162, 10/252, 10/402, 10/642,

PN 10, 16, 25, 40, 63, 100

Design

- rising stem, flexible wedge
- basic design acc. EN1984
- face to face dimension acc. EN558-1 / EN12982

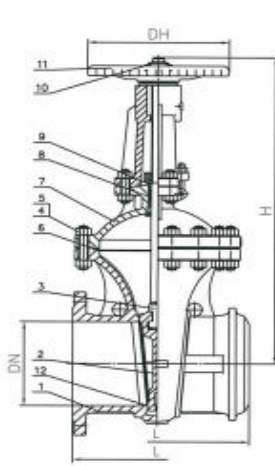
Application

- for liquid and gaseous media
- pressure-temperature rating acc. EN12516

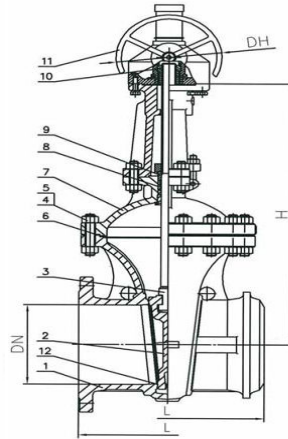
Connection

- flanges acc. DIN2501/EN1092-1
- butt welding ends DIN3239-T1/EN12627

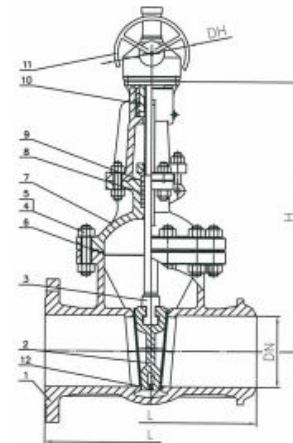
Typ	PN
10/102	10
10/162	16
10/252	25
10/402	40
10/642	63
10/1002	100



Standard-design PN 10-40



Design gear PN 10-25 ab DN450, PN40 ab DN350 Design gear PN 63-100 ab DN300





Wedge Gate Valve

outside screw

10/102, 10/162, 10/252, 10/402, 10/642,

PN 10, 16, 25, 40, 63, 100

Abmessungen

PN10, PN16, PN25					
DN	L	H	DH	kg	kg
40	240	370	180	17	18
50	250	400	200	28	30
65	270	460	200	34	36
80	280	550	280	45	47
100	300	620	300	55	63
125	325	730	300	76	98
150	350	815	350	108	119
200	400	1030	400	155	183
250	450	1310	450	226	282
300	500	1460	500	340	432
350	550	1655	550	485	617
400	600	1865	550	656	939
450	650	2090	450	745	1282
500	700	2240	450	970	1535
600	800	2660	450	1350	2235
700	900	2995	600	3335	3750
800	1000	3680	600	3880	4715
900	1100	3900	600	4400	6075

PN40					
DN	L	H	DH	kg	
40	240	370	180	20	
50	250	400	200	32	
65	290	500	200	38	
80	310	550	280	49	
100	350	620	300	72	
125	400	730	300	110	
150	450	715	350	130	
200	550	1050	400	212	
250	650	1350	500	339	
300	750	1480	550	525	
350	850	1675	450	750	
400	950	1885	450	1223	
450	1050	2180	600	1820	
500	1150	2335	600	2100	
600	1350	2695	600	3120	
700	1550	3420	800	3920	
800	1750	3730	800	5550	
900	1950	3950	800	7750	
1000	2150	4845	1000	9450	

other dimensions on request

4 - Gate Valves

4 - Gate Valves



Wedge Gate Valve

outside screw

10/102, 10/162, 10/252, 10/402, 10/642,

PN 10, 16, 25, 40, 63, 100

PN63				
DN	L	H	DH	kg
40	240	370	200	24
50	250	462	200	37
65	290	500	280	48
80	310	550	300	62
100	350	650	300	85
125	400	755	350	120
150	450	885	400	185
200	550	1075	450	285
250	650	1350	550	475
300	750	1550	450	660
350	850	1690	550	930
400	950	1985	600	1345
450	1050	2180	600	2320
500	1150	2440	700	2570
600	1350	2720	700	4350
700	1550	3420	800	5800
800	1750	3730	1000	7450

PN100				
DN	L	H	DH	kg
40	240	450	200	33
50	250	480	200	42
65	290	500	280	70
80	310	270	300	80
100	350	675	300	133
125	400	830	350	211
150	450	900	450	271
200	550	1075	500	513
250	650	1550	600	743
300	750	1560	450	1030
350	850	1690	550	1540
400	950	2030	600	1915
450	1050	2450	600	2759
500	1150	2530	800	3349
600	1350	2900	1000	6054

other dimensions on request

4 - Gate Valves

4 - Gate Valves

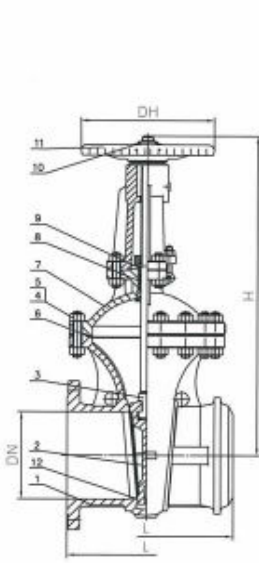


Wedge Gate Valve

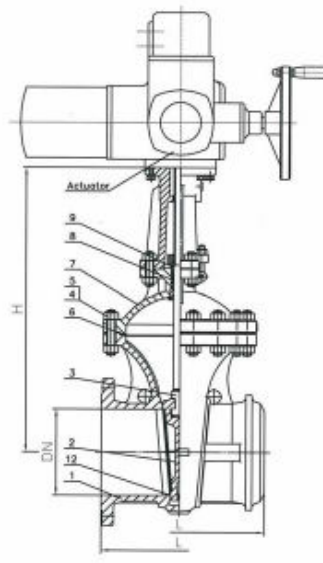
outside screw

10/102, 10/162, 10/252, 10/402, 10/642,

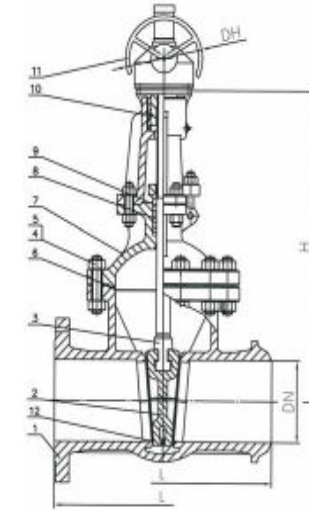
PN 10, 16, 25, 40, 63, 100



PN 10-40
with handwheel



PN 10-40
with E-actuator



PN 63-100
with gear

Materials

Pos.	Designation	Material				
		Standard	low. temp. serv.	high temp. serv.	stainless St.	stainless St.
1	Body	GS-C25/1.0619 (A216 WCB)	1.1156 (A352 LCB)	1.7357 (A217 WC6)	1.4308 (A351 CF8)	1.4408 (A351 CF8M)
2	Wedge	GS-C25/1.0619 (A216 WCB)	1.1156 (A352 LCB)	1.7357 (A217 WC6)	1.4308 (A351 CF8)	1.4408 (A351 CF8M)
3	Stem	X20Cr13 (A182 F6a)	X20Cr13 (A182 F6a)	1.4122* (A182 F6a)	X5CrNi18-10 (304)	X5CrNiMo17-12-2 (316)
4	Stud	42CrMo4	A193 L7	24CrMoV51.1	A193 B8	A193 B8
5	Nut	Ck45	A194 7	24CrMo5	A194 8	A194 8
6	Gasket	Steel-Graphite	Steel-Graphite	Steel-Graphite	Steel-Graphite	Steel-Graphite
7	Bonnet	GS-C25/1.0619 (A216 WCB)	1.1156 (A352 LCB)	1.7357 (A217 WC6)	1.4308 (A351 CF8)	1.4408 (A351 CF8M)
8	Packing	Graphite	Graphite	Graphite	Graphite	Graphite
9	Gland	Ck25	X20Cr13 (A182 F6a)	24CrMoV-55	X5CrNi18-10 (304)	X5CrNiMo17-12-2 (316)
10	Stem nut	Brass	Brass	Brass	Brass	Brass
11	Handwheel	GG	GG/Steel	GG/Steel	GG/Steel	GG/Steel
12	Seat	min 13%Cr	min 13%Cr	min 17%Cr	1.4308 (A351 CF8)	1.4408 (A351 CF8M)

other materials on request

*1.4122 = X39CrMo17-1