



Gate Valve

bolted bonnet, turning rising stem

10/068

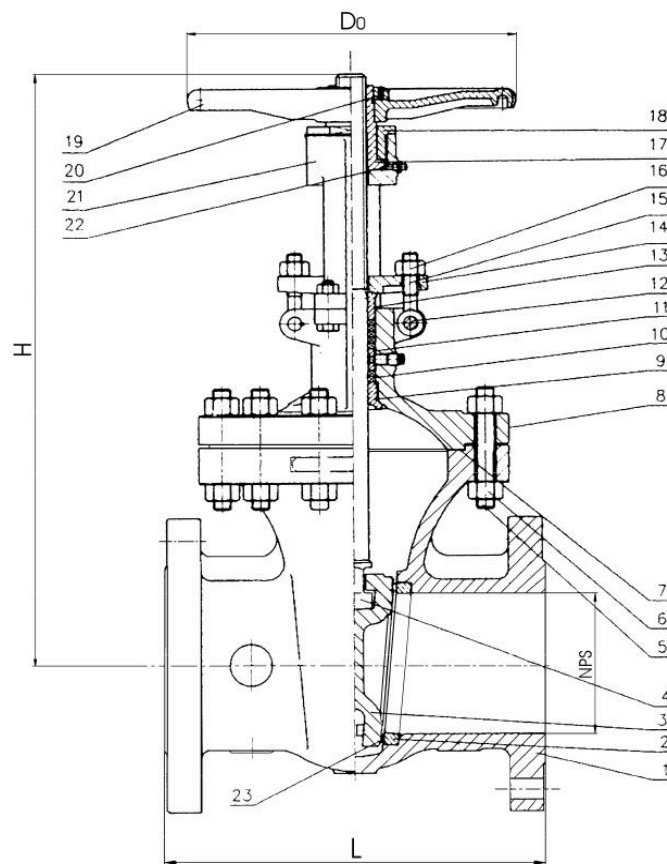
Class 150-1500

Design

- according ANSI B 16.34 and API 600
- face to face dimens. 2"-24" acc. ANSI B16.10 26"-36" to MSS SP – 44 or API 605
- welded-in or threaded seat rings with stellite overlay

Connection

- flanges acc. ANSI B16.5
- butt welding ends acc. ANSI B16.25





Gate Valve

10/068

bolted bonnet, turning rising stem

Class 150-1500

Materials										
Pos.	Designation	carbon steel		high temp. steel			stainless steel			
		WCB	LCB	WC1	WC6	WC9	CF8	CF8M	CF3	CF3M
1	Body	A216 WCB	A352 LCB	A217 WC1	A217 WC6	A217 WC9	A351 CF8	A351 CF8M	A351 CF3	A351 CF3M
2	Seat ring	A105	A350 LF2	A182 F304	A182 F304	A182 F304	A182 F304	A182 F316	A182 F304L	A182 F316L
3	Wedge	A216 WCB	A352 LCB	A217 WC1	A217 WC6	A217 WC9	A351 CF8	A351 CF8M	A351 CF3	A351 CF3M
4	Stem	A182 F6	A182 F304	A182 F6	A182 F6	A182 F304	A182 F304	A182 F316	A182 F304L	A82 F316L
5	Bolt	A193 B7	A193 B7	A193 B7	A320 L7	A320 L7	A320 B8	A320 B8	A193 B8M	A193 B8M
6	Nut	A194 2H	A194 2H	A194 2H	A194 4	A194 7	A194 8	A194 8	A194 8	A194 8
7	Gasket	SS / Graphite								
8	Bonnet	A216 WCB	A352 LCB	A217 WC1	A217 WC6	A217 WC9	A351 CF8	A351 CF8M	A351 CF3	A351 CF3M
9	Backseat bush	A182 F6	A182 F304	A182 F6	A182 F6	A182 F304	A182 F304	A182 F316	A182 F304L	A182 F316L
10	Packing	Graphite								
11	Latern ring	A182 F6	A182 F6	A182 F6	A182 F6	A182 F304	A182 F304	A182 F316	A182 F304L	A182 F316L
12	Pin	carbon steel								
13	Gland	A182 F6	A182 F6	A182 F6	A182 F6	A182 F6	A351 CF8	A351 CF8M	A351 CF3	A351 CF3M
14	Gland flange	A105	A350 LF2	A105	A105	A105	A351 CF8	A351 CF8M	A351 CF3	A351 CF3M
15	Gland bolt	A307 B	A307 B	A307 B	A307 L7	A307 L7	A193 B8	A193 B8	A193 B8	A193 B8
16	Gland nut	A194 2H	A194 2H	A194 2H	A194 2H	A194 4	A194 8	A194 8	A194 8	A194 8
17	Stem nut	A439 D2	A439 D2	A439 D2	A439 D2	A439 D2	A439 D2	A439 D2	A439 D2	A439 D2
18	Retaining nut	carbon steel								
19	Handwheel	ductile iron or steel								
21	Yoke	A216 WCB								
22	Nipple	carbon steel								
23	Seat overlay	13% Cr and/or 18% CrNi and/or HF (Co-Cr)								

Special materials (C5, C12) on request

4 - Gate Valves

4 - Gate Valves



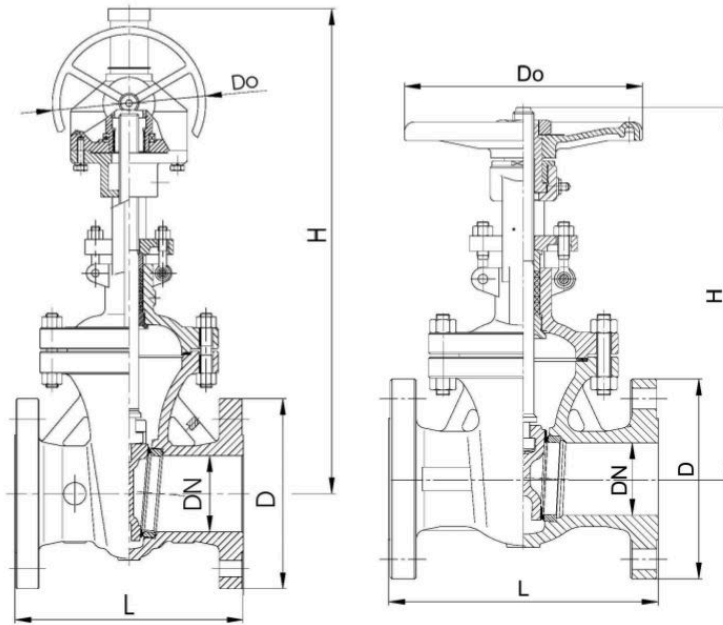
Gate Valve

bolted bonnet, turning rising stem

10/068

Class 150-1500

Dimensions



150 LBS									
NPS	DN	L			H	D	weight [kg]		
		RF	BW	RTJ			RF	DW	
1 1/2	40	165	165	178	390	200	16	14	
2	50	178	216	191	400	200	18	15	
2 1/2	65	191	241	203	490	200	28	22	
3	80	203	283	216	508	250	30	26	
4	100	229	305	241	585	300	50	40	
5	125	254	381	267	740	300	70	68	
6	150	267	403	279	773	350	85	77	
8	200	292	419	305	955	350	128	118	
10	250	330	457	343	1160	300*	220	200	
12	300	356	502	368	1375	300*	310	290	
14	350	381	572	394	1569	350*	450	435	
16	400	407	610	419	1765	350*	550	510	
18	450	432	660	445	1978	400*	700	650	
20	500	457	711	470	2219	400*	910	880	
24	600	508	813	521	2630	450*	1130	1100	
28	700	610	915	622	3200	450*	2780	2650	
32	800	600	965	672	3550	500*	3000	2750	
36	900	711	1016	724	3940	500	3700	3520	

300 LBS									
NPS	DN	L			H	D	weight [kg]		
		RF	BW	RTJ			RF	BW	
1 1/2	40	191	191	203	450	200	26	21	
2	50	216	216	232	270	200	24	20	
2 1/2	65	241	241	257	525	200	44	35	
3	80	283	283	298	533	250	48	37	
4	100	305	305	321	633	250	73	54	
5	125	381	381	397	800	350	124	100	
6	150	403	403	419	805	450	144	110	
8	200	419	419	435	1024	300*	226	175	
10	250	457	457	473	1232	300*	350	285	
12	300	405	405	518	1460	350*	580	495	
14	350	762	762	778	1645	350*	715	615	
16	400	838	838	854	1841	400*	1050	940	
18	450	914	914	930	1988	450*	1235	1090	
20	500	991	991	1010	2208	500*	1655	1500	
24	600	1143	1143	11465	2603	500*	2420	2100	
28	700	1346	1346	1372	3080	600*	3400	2850	

*) Gear with handwheel



Gate Valve

bolted bonnet, turning rising stem

10/068

Class 150-1500

600 LBS									
NPS	DN	L			H	D	weight [kg]		
		RF	BW	RTJ			RF	BW	
1 1/2	40	292	292	295	474	250	35	32	
2	50	330	330	333	520	250	55	47	
3	80	356	356	359	547	250	72	64	
4	100	432	432	435	703	300	126	103	
6	150	559	559	562	913	250	265	218	
8	200	660	660	664	1077	300	444	374	
10	250	787	787	790	1276	350	700	570	
12	300	838	838	841	1490	350	940	830	
14	350	889	889	892	1623	400	1310	1012	
16	400	991	991	994	1816	450	1610	1217	
18	450	1092	1092	1095	2260	450	2070	1760	
20	500	1194	1194	1200	2260	550	2405	2000	
24	600	1397	1397	1406	2900	650	3810	3200	

900 LBS									
NPS	DN	L			H	D	weight [kg]		
		RF	BW	RTJ			RF	BW	
1 1/2	40	368	368	371	620	300	95	80	
2	50	419	419	422	705	350	128	110	
3	80	381	381	384	695	350	125	105	
4	100	457	457	460	825	250*	192	165	
6	150	610	610	613	1065	300*	378	330	
8	200	737	737	740	1320	350*	635	520	
10	250	838	838	841	1540	400*	900	730	
12	300	965	965	968	1840	450*	1550	1300	
14	350	1029	1029	1038	2135	500*	2170	1800	
16	400	1130	1130	1140	2380	500*	3070	2650	
18	450	1219	1219	1232	2580	550*	3930	3400	
20	500	1321	1321	1334	2780	600*	5120	4300	
24	600	1549	1549	1568	3130	700*	7800	6500	

1500 LBS									
NPS	DN	L			H	D	weight [kg]		
		RF	BW	RTJ			RF	BW	
1 1/2	40	368	368	371	695	400	95	80	
2	50	419	419	422	705	400	128	110	
3	80	470	470	473	770	400	181	145	
4	100	546	546	549	872	300*	275	220	
6	150	705	705	711	1092	350*	627	560	
8	200	832	832	841	1400	350*	1000	850	
10	250	991	991	1000	1600	400*	2200	1950	
12	300	1130	1130	1146	1840	450*	3300	2850	
14	350	1257	1257	1276	2025	550*	4200	3550	
16	400	1384	1384	1407	2230	600*	6300	5500	
18	450	1537	1537	1559	2430	700*	7500	6500	
20	500	1664	1664	1686	2630	750*	9000	8000	
24	600	1943	1943	1972	3130	750*	11000	9500	

*) Gear with handwheel

4 - Gate Valves

4 - Gate Valves