



## Butterfly valve

Lug type

6/313

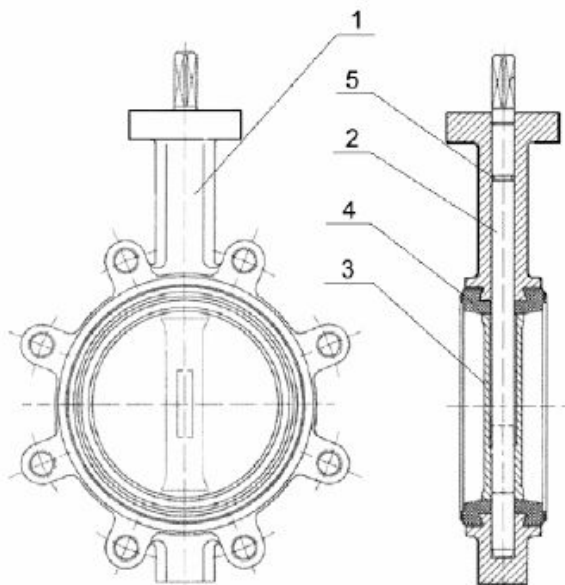
PN 10/16

Design and application

Butterfly valve in lug type design  
Centric shaft  
For liquids and gaseous media  
Applicable as end of pipeline

Installation

The valve is to be installed between flanges acc. DIN, other connections at request  
Fact to face acc. DIN 3202, EN 558, API 609



### Materials

Pos.	Designation	Material			
1	Body	GG-25 (A-126)	GGG 50 (A-536)	1.4308 (AISI 304)	1.4408 (AISI 316)
2	Shaft	1.4028 (AISI 420)	1.4408 (AISI 316)	1.4408 (AISI 316)	1.4408 (AISI 316)
3	Disc	GG-25 (A-126)	GGG 50 (A-536)	1.4308 (AISI 304)	1.4408 (AISI 316)
4	Liner	NBR, VITON, SILICONE, HYPALON			
5	O-ring	NBR, EPDM, VITON			

Other materials at request

6 - Butterfly Valves

6 - Butterfly Valves

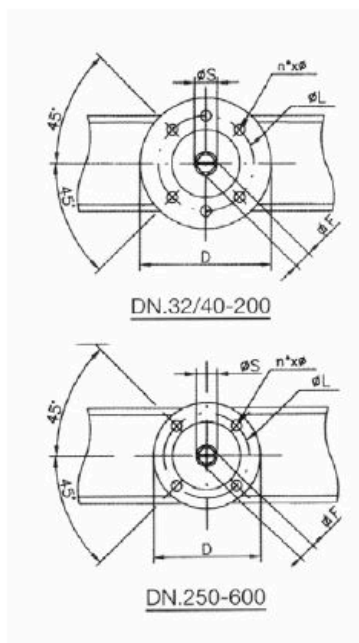
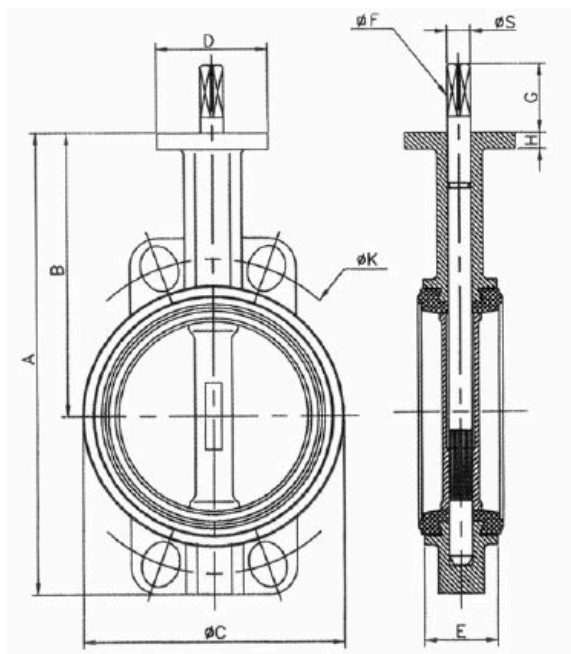


## Butterfly valve

Lug type

6/313

PN 10/16



6 - Butterfly Valves

6 - Butterfly Valves

Dimensions													
DN	NPS	A	B	C	D	E	F	G	H	K	L	nxØ	Kg
32	1 1/4"	205	139	82	90	33	8	30	24	100	70	4x9	2,3
40	1 1/2"	205	139	82	90	33	8	30	24	110	70	4x9	2,3
50	2"	227	154	103	90	43	8	30	24	125	70	4x9	3,0
65	2 1/2"	246	160	121	90	46	11	30	24	145	70	4x9	3,7
80	3"	260	170	132	90	46	11	30	24	160	70	4x9	4,0
100	4"	295	187	155	90	52	11	30	24	180	70	4x9	5,3
125	5"	324	205	190	90	56	14	30	24	210	70	4x9	7,5
150	6"	349	217	218	90	56	14	30	24	240	70	4x9	8,9
200	8"	442	257	273	90	60	17	30	24	295	70	4x9	12,5
250	10"	452	255	325	135	68	22	40	22	*350/355	102	4x11	22,5
300	12"	522	288	325	135	78	22	40	22	*400/410	102	4x11	29,6
350	14"	600	320	435	170	78	22	40	22	*460/470	140	4x18	39,5
400	16"	658	339	485	170	102	27	40	22	*515/525	140	4x18	57,0
450	18"	790	413	532	175	114	36	40	22	*565/585	140	4x18	105,0
500	20"	840	448	587	175	127	36	40	22	*620/650	140	4x18	127,0
600	24"	920	490	705	210	154	36	40	22	*725/770	165	4x24	181,0

<sup>\*)</sup> DIN 2501 PN10 / PN16