



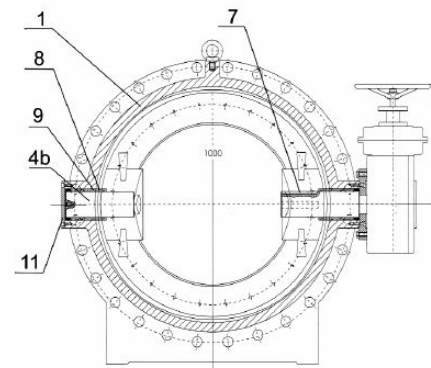
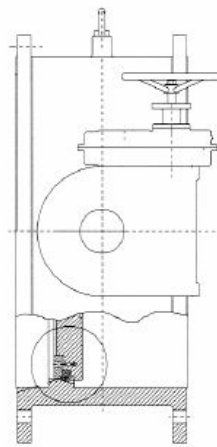
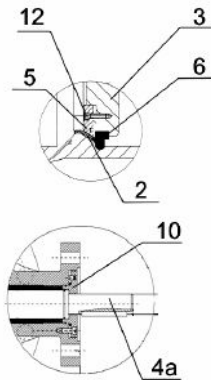
Butterfly Valve

Flange type

6/122

PN 10/16

Design	- valve geometry – double- or triple-eccentric - casted body, soft or metallic sealed - face to face dimensions acc. EN558-1 – Row14
Connection	Flanges acc. EN1092-1; facing B1
Application	for liquids and gaseous media
Type of actuator	- gear with handwheel - electric actuator - hydraulic actuator - pneumatic actuator



Materials				
Pos.	Designation	Material		
1	Body	GG-25	GGG-50	GS-C25
2	Body seat	X20Cr13 / AISI316 / 304 (welded)		
3	Disc	GG-25	GGG-50	GS-C25
4a	Shaft - actuator	AISI 410 / X20Cr13		
4b	Shaft - guide	AISI 410 / X20Cr13		
5	Holder ring	St 37		
6	Disc sealing	EPDM / Metal-Metal		
7	Key	C 45 K		
8	Bearing	Bronze / Stainless Steel		
9	O-ring	NBR / VITON / PTFE		
10	Cover - actuator	St 37		
11	Cover - guide	St 37		
12	Bolt	8.8 galvanized		

6 - Butterfly Valves

6 - Butterfly Valves



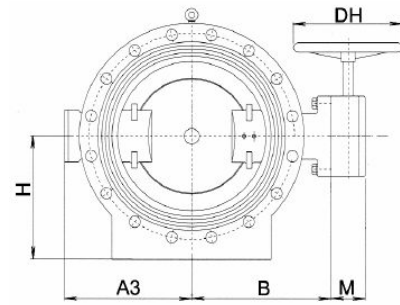
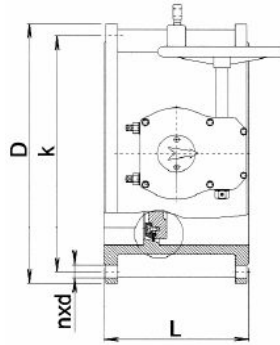
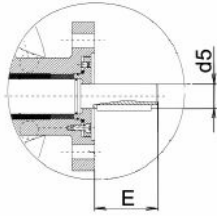
Butterfly Valve

Flange type

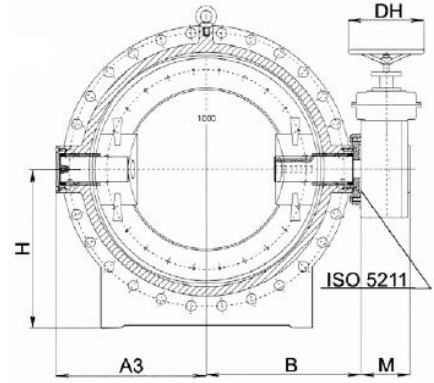
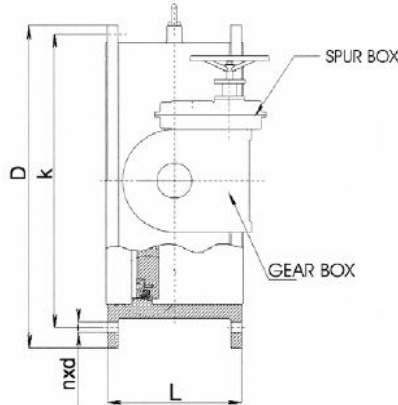
6/122

PN 10/16

DN15-DN800



DN900-DN1400



Dimensions

DN	L	H	A3	B	M	DH	E	d5	PN10			PN16		
									D	k	nxd	D	k	nxd
150	210	160	142	170	75	260	67	20	285	240	8x22	285	240	8x22
200	230	190	175	213	75	260	67	20	340	295	8x22	340	295	12x22
250	250	220	201	231	875	260	67	30	395	350	12x22	405	355	12x26
300	270	250	235	273	75	260	67	30	445	400	12x22	460	410	12x26
350	290	280	260	317	102	400	75	36	505	460	16x22	505	470	16x26
400	310	310	302	350	102	400	75	36	565	515	16x26	580	525	16x30
450	330	330	330	360	102	400	90	45	615	565	20x26	640	585	20x30
500	350	360	372	415	102	550	90	45	670	620	20x26	715	650	20x33
600	390	440	425	470	102	600	90	60	780	725	20x30	840	770	20x36
700	430	465	458	502	135	700	125	68	895	840	24x30	910	840	24x36
800	470	540	520	569	135	800	125	80	1015	950	24x33	1025	950	24x39
900	510	570	600	617	225	550	200	80	1115	1050	28x33	1125	1050	28x39
1000	550	676	625	625	225	550	200	100	1230	1160	28x36	1255	1170	28x42
1200	630	735	800	850	225	550	200	100	1455	1380	32x39	1485	1390	32x48
1400	710	878	910	962	225	550	200	110	1675	1590	36x43	1685	1590	36x49
1600	790	976	1100	1110	245	600	200	120	1915	1820	40x49	1930	1820	40x56
1800	870	1058	1260	1250	245	600	200	120	2115	2020	44x49	2130	2020	44x56
2000	950	1173	1340	1295	245	600	200	120	2325	2230	48x49	2345	2230	48x62