



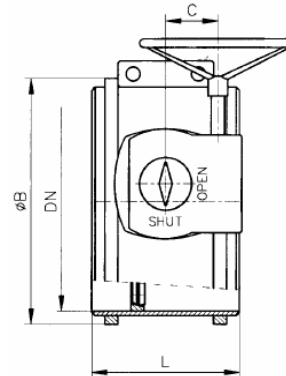
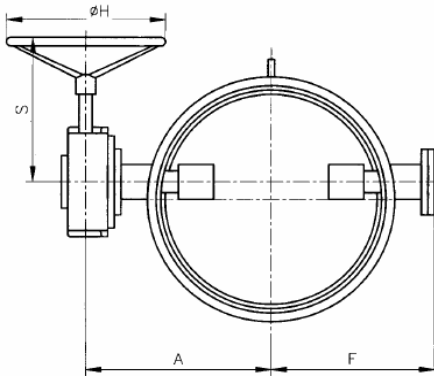
Butterfly Valve - Double Eccentric

6/120-S05

Butt welding type, face to face DIN3202 - S5

PN 1-40

Design	according to DIN3354 / EN593 welded body
Face to face	DIN3202 - S5
Weld ends	DIN3239-T1 / EN12627
Weld joint	DIN2559-T1 / EN12627
Actuation	worm gear with handwheel



Dimensions ¹

DN	L	PN 1-2,5				PN 6				PN 10			
		F	ØB	-	[kg] ³	F	ØB	-	[kg] ³	F	ØB	-	[kg] ³
80	180	150	110	-		150	110	-		165	110	-	
100	190	160	135	-		160	135	-		175	135	-	
125	200	175	160	-		175	160	-		190	160	-	
150	210	190	190	-		190	190	-		205	200	-	
200	430	215	250	-		225	250	-		235	250	-	
250	450	245	290	-		255	290	-		270	290	-	
300	470	275	340	-		285	340	-		295	340	-	
350	490	310	390	-		310	390	-		325	390	-	
400	510	335	440	-		335	440	-		355	440	-	
450	530 ²	360	490	-		370	490	-		380	490	-	
500	550	385	540	-		395	540	-		415	555	-	
600	590	440	640	-		450	640	-		470	655	-	
700	630	495	740	-		505	740	-		530	770	-	
800	670	560	850	-		560	855	-		595	870	-	
900	710	610	950	-		620	955	-		645	985	-	
1000	750	660	1050	-		670	1055	-		705	1085	-	
1100	790 ²	x	1165	-		x	1170	-		x	1185	-	
1200	830	760	1265	-		785	1270	-		825	1290	-	

1) dimensions A, C, S, ØH depending on actuator

2) acc. to manufacturer's standard

3) without gear, actuator

-) Larger DN on request

x) at request



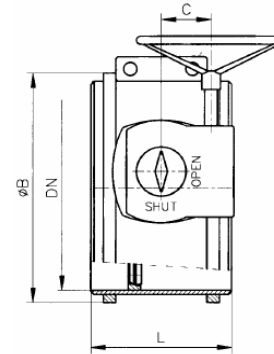
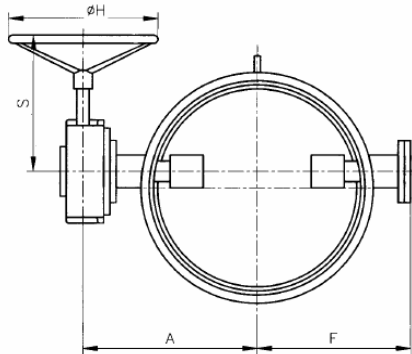
Butterfly Valve - Double Eccentric

6/120-S05

Butt welding type, face to face DIN3202 - S5

PN 1-40

Design	according to DIN3354 / EN593 welded body
Face to face	DIN3202 - S5
Weld ends	DIN3239-T1 / EN12627
Weld joint	DIN2559-T1 / EN12627
Actuation	worm gear with handwheel



Dimensions ¹

DN	L	F	PN 16			PN 25			PN 40				
			ØB	-	[kg] ³	F	ØB	-	[kg] ³	F	ØB	-	[kg] ³
80	180	165	100	-		165	100	-		175	100	-	
100	190	175	145	-		190	145	-		200	145	-	
125	200	190	170	-		210	170	-		215	180	-	
150	210	215	200	-		230	200	-		240	210	-	
200	430	245	250	-		260	260	-		275	260	-	
250	450	275	290	-		300	305	-		320	325	-	
300	470	310	355	-		330	355	-		355	375	-	
350	490	340	405	-		375	410	-		385	440	-	
400	510	370	455	-		405	475	-		425	490	-	
450	530 ²	400	510	-		x	525	-		445	570	-	
500	550	445	560	-		460	575	-		x	620	-	
600	590	510	675	-		525	690	-		x	730	-	
700	630	545	775	-		595	795	-		x	830	-	
800	370	610	890	-		655	895	-		x	960	-	
900	710	660	990	-		715	1020	-		x	1070	-	
1000	750	725	1115	-		780	1130	-		x	1170	-	
1100	790 ²	x	1215	-		x	1230	-		x	1280	-	
1200	830	850	1320	-		895	1360	-		x	1390	-	

1) dimensions A, C, S, ØH depending on actuator

2) acc. to manufacturers standard

3) without gear, actuator

-) Larger DN on request

x) at request