



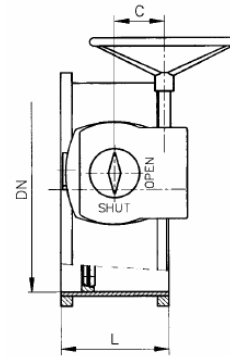
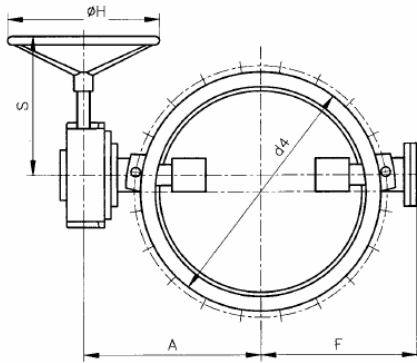
Butterfly Valve - Double Eccentric

6/120-K13

Wafer type, face to face EN558-1 row 13

PN 1-25

Design	according to DIN3354 / EN593 welded body
Face to face	EN558-1, row 13
Installation	betw. flanges DIN2501/EN1092-1
Facing	DIN2526, face C
Actuation	worm gear with handwheel



Dimensions ¹

DN	L	PN 1-2,5				PN 6				PN 10			
		F	d4	d2	[kg] ³	F	d4	d2	[kg] ³	F	d4	d2	[kg] ³
80	114	150	128	18		150	128	18		165	138	1867	
100	127	160	148	18		160	148	18		175	158	18	
125	140	175	178	18		175	178	18		190	188	18	
150	140	190	202	18		190	202	18		205	212	22	
200	152	215	258	18		225	258	18		235	268	22	
250	165	245	312	18		255	312	18		270	320	22	
300	178	275	365	22		285	365	22		295	370	22	
350	190	310	415	22		310	415	22		325	430	22	
400	216	335	465	22		335	465	22		355	482	26	
450	222	360	520	22		370	520	22		380	532	26	
500	229	385	570	22		395	570	22		415	585	26	
600	267	440	670	26		450	670	26		470	685	30	
700	292	495	775	26		505	775	26		530	800	30	
800	318	560	880	30		560	880	30		595	905	33	
900	330	610	980	30		620	980	30		645	1005	33	
1000	410	660	1080	30		670	1080	30		705	1110	36	
1100	440 ²	x	x	x		x	x	x		x	x	x	
1200	470	760	1280	30		785	1295	33		825	1330	39	

1) dimensions A, C, S, ØH depending on actuator

2) acc. to manufacturers standard

3) without gear, actuator

-) Larger DN on request

x) at request

6 - Butterfly Valves

6 - Butterfly Valves



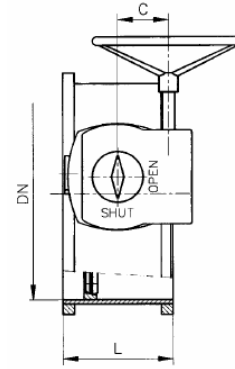
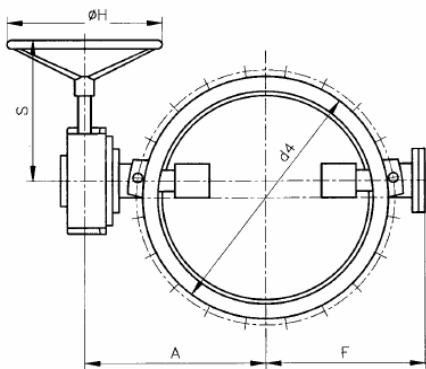
Butterfly Valve - Double Eccentric

6/120-K13

Wafer type, face to face EN558-1 row 13

PN 1-25

Design	according to DIN3354 / EN593 welded body
Face to face	EN558-1, row 13
Installation	betw. flanges DIN2501 / EN1092-1
Facing	DIN2526-C / EN1092-1-B
Actuation	worm gear with handwheel



Dimensions ¹

DN	L	PN 16				PN 25			PN 40				
		F	d4	d2	[kg] ³	F	d4	d2	[kg] ³	F	d4	d2	[kg] ³
80	114	165	138	18		165	138	18					
100	127	175	158	18		190	162	22					
125	140	190	188	18		210	188	26					
150	140	215	212	22		230	218	26					
200	152	245	268	22		260	278	26					
250	165	275	320	26		300	335	30					
300	175	310	378	26		330	395	30					
350	190	340	438	26		375	450	33					
400	216	370	490	30		405	505	36					
450	222	400	550	30		x	x	x					
500	229	445	610	33		460	615	36					
600	267	510	725	36		525	720	39					
700	292	545	795	36		595	820	42					
800	318	610	900	39		655	930	48					
900	330	660	1000	39		715	1030	48					
1000	410	725	1115	42		780	1140	56					
1100	440 ²	x	x	x		x	x	x					
1200	470	850	1130	48		895	1350	56					

1) dimensions A, C, S, ØH depending on actuator

2) acc. to manufacturers standard

3) without gear, actuator

-) Larger DN on request

x) at request

6 - Butterfly Valves

6 - Butterfly Valves